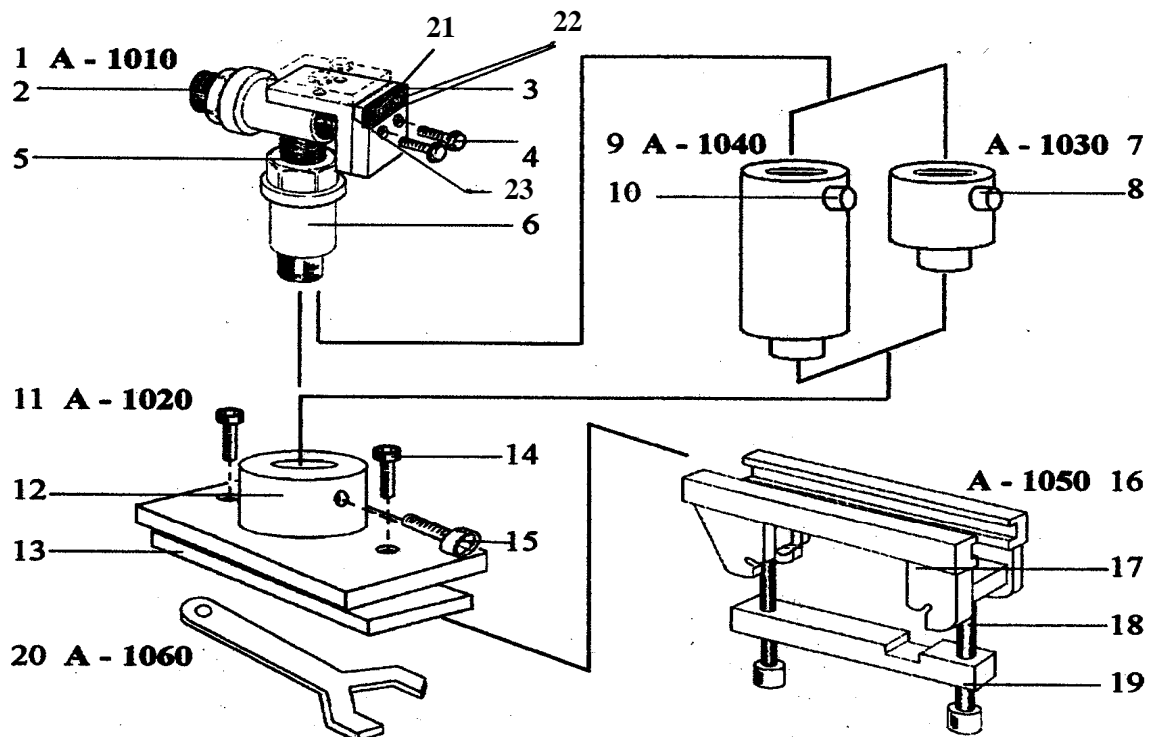


**A-10 Support holder set**



| Position | Quantity | Article number | Discription |
|----------|----------|----------------|-------------|
|----------|----------|----------------|-------------|

|    |   |               |                              |
|----|---|---------------|------------------------------|
|    |   | <b>A-10</b>   | <b>Support holder set</b>    |
| 1  | 1 | <b>A-1010</b> | Universal support holder set |
| 2  | 1 | A-1011        | Horizontal pressure screw    |
| 3  | 1 | A-1012        | Clamp plate                  |
| 4  | 2 | S-1070        | Screw                        |
| 5  | 1 | A-1013        | Verticale pressure screw     |
| 6  | 1 | A-1014        | Adapter                      |
| 7  | 1 | <b>A-1030</b> | Short extension tube         |
| 8  | 1 | S-1101        | Screw                        |
| 9  | 1 | <b>A-1040</b> | Long extension tube          |
| 10 | 1 | S-1101        | Screw                        |
| 11 | 1 | <b>A-1020</b> | Mounting plate               |
| 12 | 1 | A-1021        | Plate frame                  |
| 13 | 1 | A-1022        | Adopter plate                |
| 14 | 2 | S-1070        | Bolt                         |
| 15 | 1 | S-1101        | Screw                        |
| 16 | 1 | <b>A-1050</b> | Frame bridge                 |
| 17 | 1 | A-1051        | Frame                        |
| 18 | 2 | S-1076        | Bolt                         |
| 19 | 1 | A-1052        | Clamp bar                    |
| 20 | 1 | A-1060        | Wrench                       |
| 21 | 1 | S-6102        | Serrated jaw                 |
| 22 | 2 | S-1100        | Bolt                         |
| 23 | 2 | S-6100        | Pin                          |

